



Same Look – Recycled

Significantly improving outdoor sound quality while helping the environment. As well as being one of the most innovative new enclosure materials for weatherproof loudspeakers, it's also one of the most environmentally-friendly and economical.

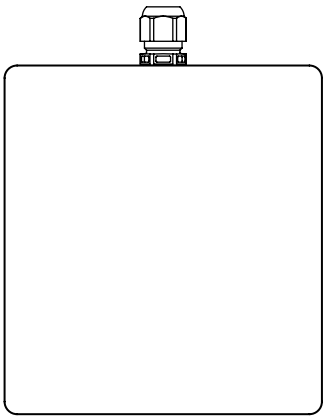
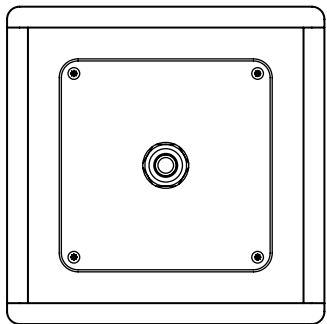
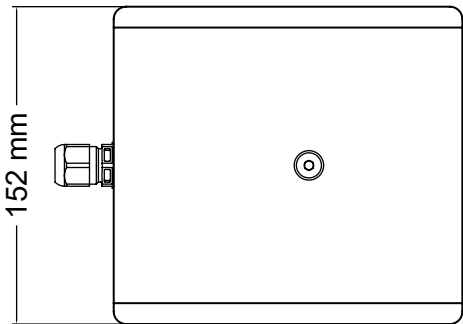
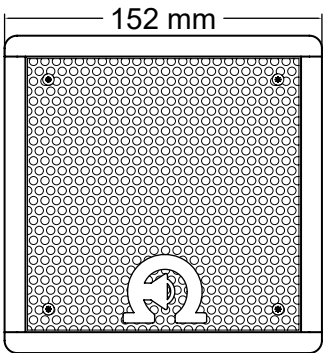
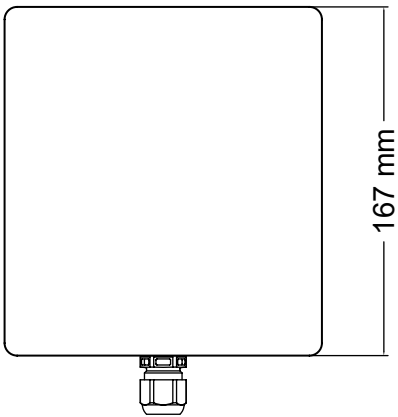
Each product in this range is manufactured from 100% waste plastic which typically ends up being land-filled, floating in our oceans or incinerated. Every design using this recycled polymer is engineered to perform as an alternative to polyurethane coated plywood or plastic rotational/injection moulded. Fully recyclable at end-of-life.

Features

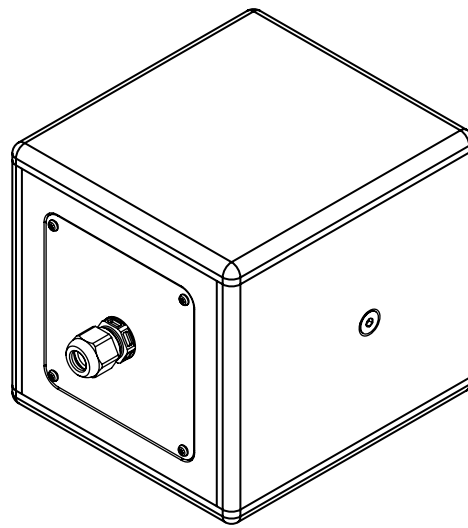
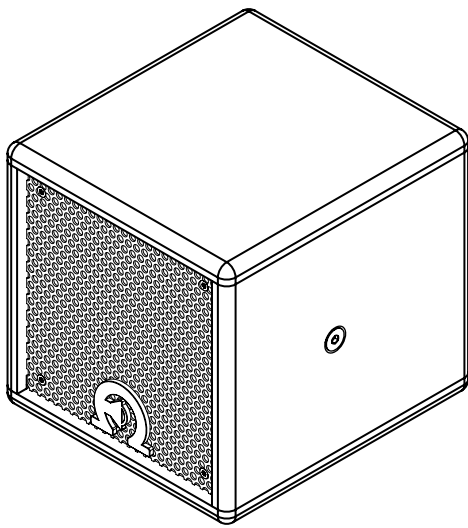
- Rot and weatherproof
- RAL Colour options
- No maintenance costs
- Chew resistant and non-toxic to animals
- Acid and chemical resistant, resisting most industrial chemicals

- Ultra compact
- Daisy chain output
- Conical dispersion
- Waterproof design

2d Drawing



3d Drawing



- ECO-4 steel grill assembly
- ECO-4 backplate and crossover
- 1 x 4" wide band driver
- Steel Omega Logo

Technical Specifications

Design

4" Satellite Cabinet, Sealed Chamber

Impedance

16 Ohm

Power Handling (AES)

30 Watts (continuous)

Max. Power Handling (AES)

60 Watts (prog)

120 Watts (peak 10 ms)

Sensitivity 2.83V / 1m

91 dB

Max. SPL

105.7 dB cont.

111.8 dB peak

Frequency Response (±3 dB)

130 Hz - 16 kHz

Usable Frequency Range (-10 dB)

80 Hz - 18 kHz

Dispersion

70° Conical

SYSTEM OPERATION

Recommended Amplification

60 – 120 Watts

System Controller

Omega DSP solutions

Speaker Cables

Min - 2 x 2.5 mm²

Preferred - 2 x 4 mm²

PRODUCT FEATURES

Components

1 x 4" Low Frequency Driver

Crossover

Passive –

Active – * LPF – / HPF – 120 Hz

* All presets from the Omega library.

Connectors

Glanded backplate, internal Wago quick connects

Dimensions (H x W x D mm)

152 x 152 x 167

Weight (kg)

1.7

Shipping Weight (kg)

7.8 (4 cabinets per carton)

Colour

Black

Options

White or RAL colours on request

Rigging

2 x M6 mounting points for installation brackets, stand or truss adaptor

HARDWARE

Fitted as Standard

-

Optional

-

Additional Descriptive Data

Recycled Polymer construction, with durable scratch resistant black textured paint finish, kick-proof steel grill and internal black fret cloth with Omega logo.

Recommended filter settings are available on the website omegaproaudio.co.uk/downloads

* All presets from the Omega library.

Architects' & Engineers' specifications:

2-Way dynamic loudspeaker in a multi purpose enclosure design, housing 1 x 4" proprietary low mid bass driver, internally and externally ventilated double sided high temperature voice coil, Homogeneous radiating behaviour and linear response from 350 Hz. Integrated passive crossover with HF protection and phase optimization. Constructed from Recycled Polymer, eco-friendly scratch resistant paint, 2 x flying points, kick proof steel grill finished with internal fret cloth and Omega Logo.

Technical Data:

Frequency Response: 80 Hz – 18 kHz (-10dB), 130 Hz - 16 kHz (± 3 dB), Continuous SPL: 105.7 dB/1m, Program SPL 108.7 dB/1m, Peak 111.8 dB/1 m. Power Handling: 30 Watt cont. IEC268 AES, Maximum Power Handling: 60 Watt prog. / 120 Watt peak, Impedance Nominal: 8 ohm, Dispersion Nominal: 70° Conical, Connector: M16 Gland, internal Wago quick connects. Dimensions (H x W x D): 152 mm x 152 mm x 167 mm, Weight: 1.7 kg. Options: Durable scratch resistant black textured paint finish. RAL colours available to order.

Safety Instructions

Professional speaker systems are able to produce sound pressure levels that could harm your health.

Never stand directly in front of loudspeakers for long periods. Whilst not immediately apparent to the listener, sound pressure levels in excess of 90dB@1m can be hazardous to the hearing.

Please refer to the following advice when setting up or dismantling OMEGA speaker systems.

1. Be sure to leave adequate distance between speakers and the public. Refer to your local authority for Health and Safety guidance when using loudspeaker systems.
2. Be sure to have safe and stable ground for your speakers, particularly when using speaker stands.
3. When stacking speaker systems, ensure they are secured to prevent individual speakers from falling down or moving around.
4. Only use OMEGA mounting hardware, as this has been specified and approved by KHZ LTD, for use with OMEGA speakers.
5. When flying speakers, appropriate materials and techniques must be employed in order to safely suspend enclosures, taking care to allow for specified enclosure weight.
6. Please observe any special instructions that appear on specific loudspeaker data-sheets.
7. Check your speaker hardware and flying material regularly for any visual or mechanical

Safety Instructions Cont.

failure. Replace damaged or suspect items when necessary.

8. Only use OMEGA DSP Solutions. Only technicians authorised by KHZ LTD are qualified to program digital controllers. Take note of recommended controllers as specified on the datasheets. Do not use OMEGA loudspeaker systems without the correct controller. If a system fails due to incorrect controller use, warranty is void.

9. Protect your speakers and electronics from freezing and do not expose them to humidity, water or rain without protection.

OMEGA loudspeakers and electronics are covered against defects in workmanship or materials for a period of two (2) years from original date of purchase. At the discretion of KHZ LTD, the defective item will be repaired/replaced with no charge for materials or labour. The item is to be adequately packed and dispatched, pre-paid, to an OMEGA authorised distributor/service centre. Unauthorised repair shall void the warranty. The OMEGA warranty does not cover cosmetics or finish and does not apply to any item which in OMEGA's opinion has failed due to user abuse, accident, modifications or any type of misuse.

Disclaimer

Copyright © 2022 KHZ LTD

The content of this datasheet is protected by U.K. and foreign copyright law and is for the private use of users of OMEGA products. Unauthorised use of the contents of this datasheet may violate copyright, trademark and other laws.

THE CONTENT OF THIS DATASHEET IS PROVIDED FOR INFORMATIONAL PURPOSES ONLY, AND IS SUBJECT TO CHANGE WITHOUT NOTICE.

KHZ LTD MAKES NO REPRESENTATION ABOUT ACCURACY, RELIABILITY OR TIME-LINES OF THE CONTENT OF THIS DATASHEET OR THE RESULTS TO BE OBTAINED FROM USING ANY PART OF SUCH CONTENT. ALL WARRANTIES, EXPRESS OR IMPLIED RELATED TO SUCH CONTENT, INCLUDING THE WARRANTY OF MERCHANT AND FITNESS FOR A PARTICULAR PURPOSE, ARE DISCLAIMED.

Technical specifications, dimensions, weights and properties do not represent guaranteed qualities. This datasheet does not include all of the details of design, production or variations of the equipment.

All third-party trademarks mentioned herein are the property of their respective owners.

